



60L WET & DRY VACUUM CLEANER 2400W STAINLESS DRUM, 230V, WITH ACCESSORIES

MODEL NO: PC460.V2

Thank you for purchasing a Sealey product. Manufactured to a high standard, this product will, if used according to these instructions, and properly maintained, give you years of trouble free performance.

IMPORTANT: PLEASE READ THESE INSTRUCTIONS CAREFULLY. NOTE THE SAFE OPERATIONAL REQUIREMENTS, WARNINGS & CAUTIONS. USE THE PRODUCT CORRECTLY AND WITH CARE FOR THE PURPOSE FOR WHICH IT IS INTENDED. FAILURE TO DO SO MAY CAUSE DAMAGE AND/OR PERSONAL INJURY AND WILL INVALIDATE THE WARRANTY. KEEP THESE INSTRUCTIONS SAFE FOR FUTURE USE.



Read before first use



Wear eye protection



Indoor use only



Wear protective clothing



Wear protective gloves

1. SAFETY

1.1. ELECTRICAL SAFETY

- WARNING!** It is the user's responsibility to check the following:
 - ✓ Check all electrical equipment and appliances to ensure that they are safe before using. Inspect power supply leads, plugs and all electrical connections for wear and damage. Sealey recommend that an RCD (Residual Current Device) is used with all electrical products. It is advised the rated residual operating current does not exceed 30mA
 - ✓ Children from age 8 years and above, persons with reduced physical, sensory, or mental capabilities those with lack of experience and knowledge can use the appliance, if they have been given supervision or instruction concerning use of the appliance in a safe way to understand the hazards involved.
 - ✗ Children shall NOT play with the appliance.
 - ✗ Cleaning and user maintenance on the appliance shall not be made by children without supervision.
 - ✓ The appliance shall be disconnected from its power source during service and when replacing parts and, if that the removal of the plug is foreseen, it shall be clearly indicated that the removal of the plug has to be such that an operator can check from any of the points to which he has access that the plug remains removed.
- ✓ **Electrical safety information.** It is important that the following information is read and understood:
 - ✓ Ensure that the insulation on all cables and on the appliance is safe before connecting it to the power supply.
 - ✓ Regularly inspect power supply cables and plugs for wear or damage and check all connections to ensure that they are secure.
- ✓ **Important:** Ensure that the voltage rating on the appliance suits the power supply to be used and that the plug is fitted with the correct fuse.
- ✗ **DO NOT** pull or carry the appliance by the power cable.
- ✗ If the supply cord is damaged, it must be replaced by the manufacturer, its service agent or similarly qualified persons in order to avoid a hazard.
- ✗ **DO NOT** pull the plug from the socket by the cable.
- ✗ **DO NOT** use worn or damaged cables, plugs or connectors. Ensure that any faulty item is repaired or is replaced immediately by a qualified electrician.

If the cable or plug is damaged during use, switch off the electricity supply and remove from use.

Ensure that repairs are carried out by a qualified electrician.

1.2. GENERAL SAFETY

- ✓ Disconnect the cleaner from the power supply before servicing, changing accessories, or performing any maintenance.
- ✓ Use only genuine parts and accessories. Unauthorised parts and accessories may be dangerous and will invalidate your warranty.
- ✓ Maintain the cleaner in good condition. Use an authorised agent for servicing. Keep machine clean, but **DO NOT** use solvents.
- ✓ (For dry vacuuming ensure the cloth filter is firmly in place before operating the cleaner.)
- ✗ **DO NOT** operate the unit without the cartridge filter in place (except when wet vacuuming). **Using the cleaner without a cloth filter will cause machine faults and will invalidate your warranty.**
- ✓ Wear protective clothing and gloves.
- ✗ **DO NOT** allow children or untrained persons to operate the cleaner.
- ✗ **DO NOT** place attachments close to your face (especially eyes, ears, etc). **DO NOT** point the hose end at other persons or animals.
- ▲ **DANGER! DO NOT** vacuum hot or glowing ash, cigarette ends, inflammable, explosive, corrosive or other dangerous substances.
- ✗ **DO NOT** leave machine running unattended. Turn power supply **OFF**, and **DO NOT** leave the vicinity until motor has come to a complete stop.
- ✗ **DO NOT** operate the cleaner while under the influence of drugs, alcohol or impairing medication, or if you are tired.
- ✗ **DO NOT** use the cleaner in the rain or in very damp conditions.
- ✗ **DO NOT** use the cleaner for a task it is not designed to perform.
- ✓ When not in use, store the cleaner in a safe, dry, childproof location.

2. INTRODUCTION

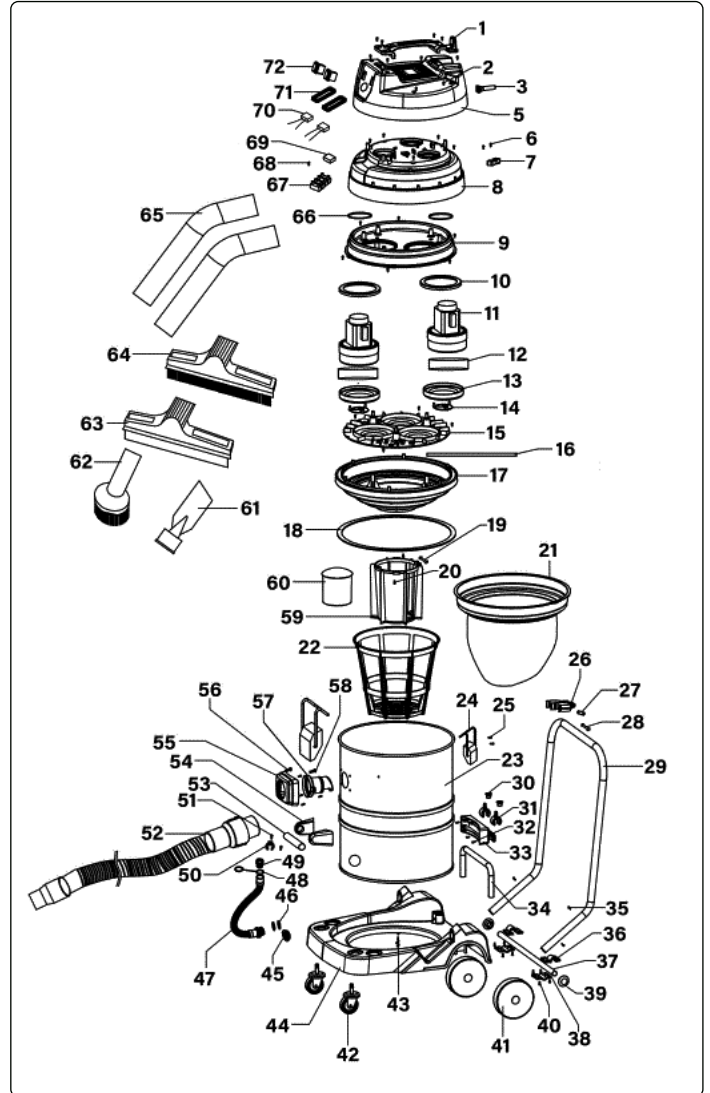
Industrial stainless-steel drum with tough composite base and head. Supplied with 1.5m EVA hose, wet floor nozzle, dry floor nozzle, crevice tool, stainless steel rigid tubes, cloth filter, cloth bag and vac brush. Tank has easy empty cap with screw-on hose. Fitted with two castor and two fixed wheels. Cable storage hooks mounted on frame, accessories and extension tube holders on base.

3. SPECIFICATION

Model No:.....PC460.V2
 Cloth bag.....PC460CBV2
 Cloth filter.....PC460CFV2
 Drum size60L
 Fuse rating: 13A
 Motor Power:..... 2x1200W
 Plug Type:.....3 Pin BS
 Power Supply Cable Length:.....1.5m
 Supply 230V

4. CONTENTS

No	Parts	No	Parts
1	Top Handle	37	Wheel axle
2	Screw	38	Axle support (Lower)
3	Cable sleeve	39	Wheel axle retainer
4	Power cable	40	Screw
5	Top cover	41	Fixed wheel
6	Screw	42	Caster wheel
7	Wire grip	43	Chain small
8	Middle cover	44	Trolley base
9	Middle cover base	45	Drainage nut
10	Upper gasket	46	Drainage hose seal
11	Motor	47	Drainage hose
12	Air outlet filter	48	Drainage hose connecting ring
13	Lower gasket	49	Outlet block
14	Air direction plate	50	Drainage hose clip
15	Motor base	51	Screw
16	Gasket seal	52	Vacuum hose
17	Bottom base	53	Handle pin
18	Bottom base seal	54	Handle pin holder
19	Screw+nut	55	Hose inlet base (Front)
20	Screw	56	Screw
21	Big cloth filter	57	Hose inlet base (Rear)
22	Basket frame	58	Screw
23	Stainless steel tank	59	Float basket
24	Tank clip	60	Safety valve
25	Rivet	61	Crevice nozzle
26	Buckle	62	Round brush
27	Support pin	63	Squeegee nozzle
28	Screw M4 x 35	64	Brush nozzle
29	Trolley handle	65	Tube extension
30	Location button	66	Seal ring (for middle cover base)
31	Turnover board	67	Terminal block
32	Screw+gasket	68	Screw
33	Turnover support shelf	69	Rubber block
34	Support handle	70	Capacitor
35	Rivet	71	Inductance
36	Axle support (Upper)	72	Power switch



5. ASSEMBLY

- 5.1. Undo clasps.
- 5.2. Lift off the motor head assembly.
- 5.3. Remove contents from inside the drum.
- 5.4. Turn the drum upside down and insert the castors ensuring they are pushed all the way in.
- 5.5. Insert the rear rubber wheels and attach to the rear axle if not already assembled.
- 5.6. Insert the cloth filter and bag.
- 5.7. For wet vacuum cleaning ensure that the cloth filter is removed.
- 5.8. Replace the motor head onto the drum.
- 5.9. Align up the motor head with the clasps and snap into place, by applying pressure at the mid point of the clasps.
- 5.10. Insert the large end of the hose into the front inlet of the drum and lock in place by turning fully clockwise.
- 5.11. Choose the desired nozzle and push it onto the suction tube.

6. DRY VACUUM CLEANING

- WARNING!** Ensure you read, understand and apply Section 1 'Safety Instructions'.
 - WARNING! DO NOT** vacuum hazardous substances.
- 6.1. Ensure the machine is unplugged from the power supply.
 - 6.2. Ensure cloth filter and cloth bag are fitted.
 - 6.3. Reposition the head onto the drum, and clip in place.
 - 6.4. Insert the larger end of the flexible hose into the front inlet on the drum and lock in place. Push the required attachment/suction tube onto the free end of the hose.
 - 6.5. Plug in the power supply.
 - 6.6. Switch to the 'On' (position 'I') from one or both sides.
 - 6.7. When you have completed vacuuming, press the switch/switches to the 'Off' (position '0').

7. WET VACUUM CLEANING

- WARNING!** Ensure you read, understand and apply Section 1 'Safety Instructions'. Reminder: Remove plug from power supply before opening unit.
 - × **DO NOT** vacuum solvents, explosives, inflammable and/or hazardous liquids such as petrol, oil, spirits, paint, thinners, acids etc.
 - × **DO NOT** use cloth filter or cloth bags when wet vacuuming.
- 7.1. Ensure the machine is unplugged from the power supply. Make sure the tank is clean and free from dust and dirt.
 - 7.2. Remove the cloth filter and replace motor head assembly onto the drum.
 - 7.3. Fit the desired nozzle (to the same flexible hose used in dry cleaning).
 - 7.4. Ensure the switches are in the 'Off' (position '0') before plugging into the power supply (both switches).
 - 7.5. Press the switch or switches to the 'On' (position 'I').
NOTE: To vacuum large quantities of liquid, from a sink or tank etc, **DO NOT** immerse the nozzle completely in the liquid, leave a gap at the top of the nozzle opening to allow an air inflow. The machine is fitted with a float valve which stops the suction action when the tank has reached its maximum capacity. The user will notice an increase in motor speed. When this happens, turn off the machine, disconnect from power supply, remove the motor head assembly from the drum and empty the liquid into a suitable receptacle or drain. To continue vacuuming, refit the head and proceed. After wet vacuuming, turn the machine off and unplug from power supply. Empty the drum and clean and dry the inside and outside before storage.
- WARNING!** Not designed for liquid storage. Always empty liquids after use and before storing.

8. MAINTENANCE

- 8.1. **GENERAL MAINTENANCE.**
 - Warning!** The plug must be removed from the socket before cleaning or maintaining the appliance.
- 8.1.1. Disconnect the hose from the drum.
- 8.1.2. Undo the clasps and remove motor head assembly from the drum.
- 8.1.3. Clear out any dirt or debris from the drum and hose.
- 8.1.4. Check that the suction tube operates smoothly and check the power cable to make sure it has not received any damage.

9. TROUBLESHOOTING

Problem	Cause	Solution
Cleaner will not operate.	1. No power supply. 2. Faulty power cable, switch or motor. 3. Drum full of liquid.	1. Check supply. 2. Check and repair or replace faulty item. 3. Empty drum.
Dust comes from the motor cover.	1. Cloth filter missing or damaged.	1. Fit or replace cloth filter.
Reduced efficiency and increased motor speed/vibration.	1. Dust drum full. 2. Filter clogged. 3. Nozzle, hose or drum inlet blocked.	1. Empty drum. 2. Clean or replace cloth filter. 3. Check nozzle, hose and drum inlet for blockage/clear blockage.



ENVIRONMENT PROTECTION

Recycle unwanted materials instead of disposing of them as waste. All tools, accessories and packaging should be sorted, taken to a recycling centre and disposed of in a manner which is compatible with the environment. When the product becomes completely unserviceable and requires disposal, drain any fluids (if applicable) into approved containers and dispose of the product and fluids according to local regulations.



WEEE REGULATIONS

Dispose of this product at the end of its working life in compliance with the EU Directive on Waste Electrical and Electronic Equipment (WEEE). When the product is no longer required, it must be disposed of in an environmentally protective way. Contact your local solid waste authority for recycling information.

Note: It is our policy to continually improve products and as such we reserve the right to alter data, specifications and component parts without prior notice. Please note that other versions of this product are available. If you require documentation for alternative versions, please email or call our technical team on technical@sealey.co.uk or 01284 757505.

Important: No Liability is accepted for incorrect use of this product.

Warranty: Guarantee is 12 months from purchase date, proof of which is required for any claim.

Sealey Group, Kempson Way, Suffolk Business Park, Bury St Edmunds, Suffolk. IP32 7AR



01284 757500



sales@sealey.co.uk



www.sealey.co.uk